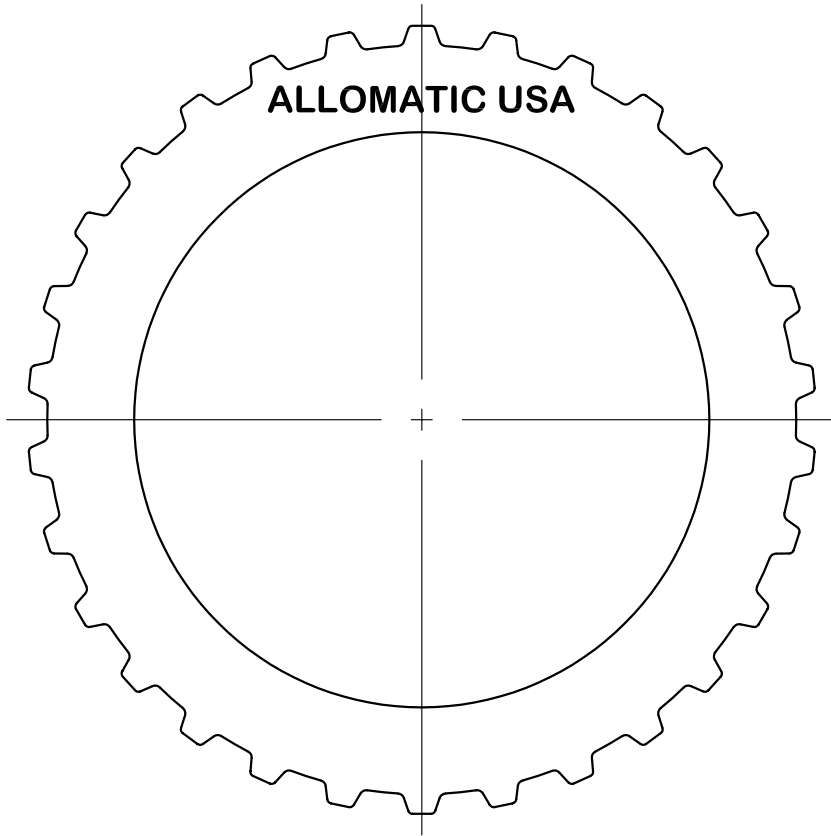


<b>CLUTCH PLATE DATA:</b>		PART NUMBER <b>1671</b>	ZF 4HP14 1986-UP
NUMBER OF TEETH	30		
OUTSIDE DIAMETER	4.105±.010	<b>ALLOMATIC</b> 609 EAST CHANEY STREET SULLIVAN, INDIANA 47882  <a href="http://www.allomatic.com">www.allomatic.com</a>	<b>E PACK (INPUT)</b>
INSIDE DIAMETER	2.995±.010		
OVERALL THICKNESS	.071±.003		



04/16/03