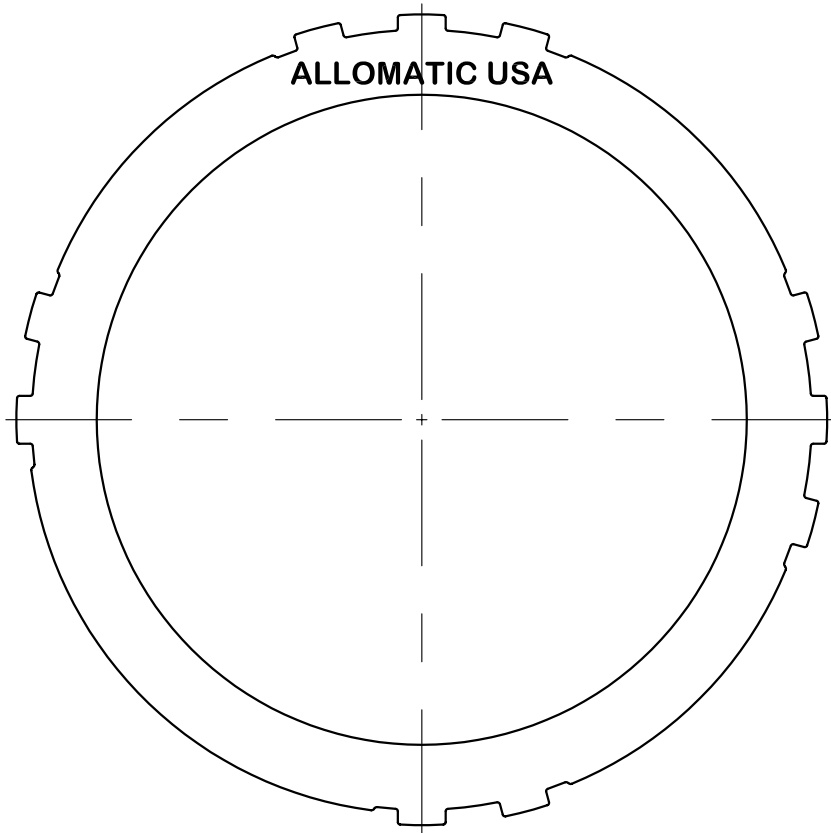


<b>CLUTCH PLATE DATA:</b>		PART NUMBER <b>1493</b>	<b>CHRYSLER</b> <b>45RFE</b> <b>1999 - UP</b>
NUMBER OF TEETH	10		
OUTSIDE DIAMETER	8.445±.010	<b>ALLOMATIC</b> 609 EAST CHANEY STREET SULLIVAN, INDIANA 47882  <a href="http://www.alloomatic.com">www.alloomatic.com</a>	<b>2nd</b>
INSIDE DIAMETER	6.772±.010		
OVERALL THICKNESS	0.130±.003		



04/16/03 HALF SCALE