

TRANSMISSION PARTS

**Clutch-Pack Module:
BOM Updated**

Transmission: Chrysler 48RE
(Diesel with GPZ Overdrive Brake and GPZ Forward Clutch)

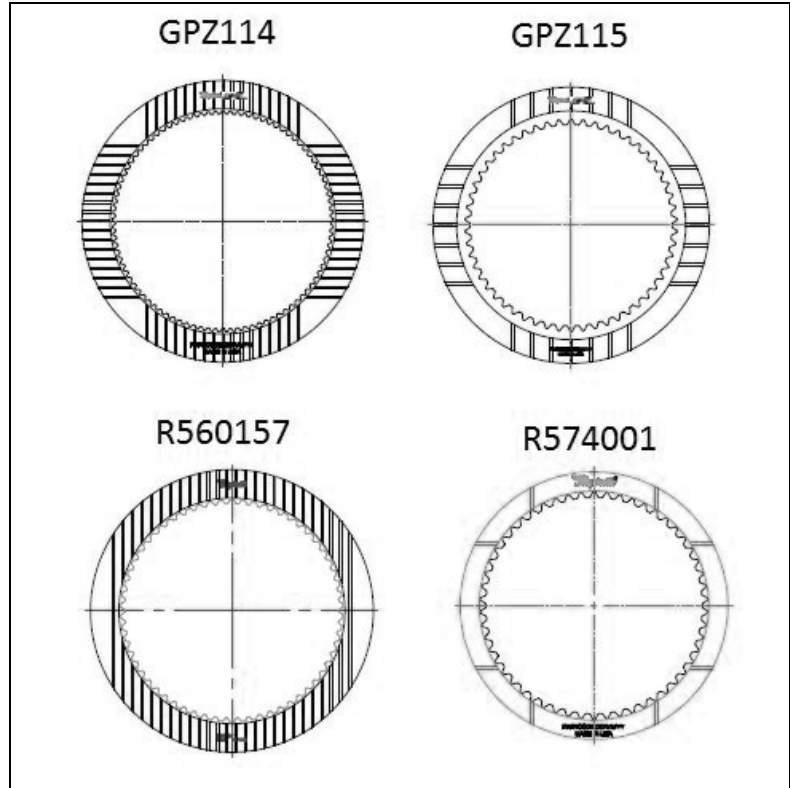
**Part No.
RGPZ-016**

**Year Coverage:
2003-ON**

**Carton Qty:
5 Boards/Carton**

Features/Benefits:

Complete unit coverage.
Contains friction components manufactured with GPZ proprietary blend of high energy fibers for smooth engagements and high temperature/high stress capacity for maximum durability.



Also Available for Chrysler 48RE

Components:

Steel Module:

000636

<u>Part No.</u>	<u>Quantity</u>	<u>Description</u>
GPZ114	4	Forward
GPZ115	6	Overdrive
R560157	5	Direct
R574001	10	Overdrive, Direct

**** BOM Updated to include (4) GPZ114 and (4) R560140 has been removed.**

The best choice, the first time and every time.

www.raybestospowertrain.com