

Clutch-Pack Module

**Transmission: Volkswagen 02E
(DQ250) DCT**

Part No.
RCPDCT-250

Year Coverage:
2003-ON

Carton Qty:
5 Boards/Carton

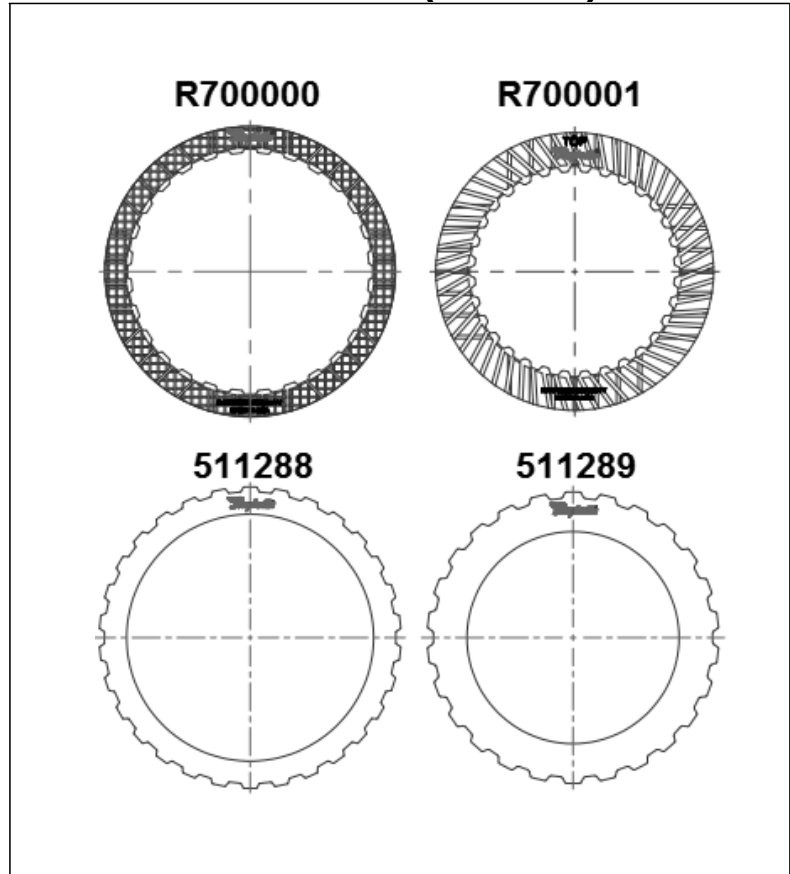
Features/Benefits:

Complete unit coverage.

Contains friction components manufactured with a unique blend of high energy fibers for smooth engagements and high temperature durability.

OE proven DCT friction material

Segmented friction plates for optimum cooling and engagement.



Components:

<u>Part No.</u>	<u>Quantity</u>	<u>Description</u>
R700000	4	Dual Clutch K1
R700001	5	Dual Clutch K2
511288	5	K1
511289	6	K2

***Qualifies for waiving fees & handling charges through
June 14, 2013***

The best choice, the first time and every time.

www.raybestospowertrain.com