

TRANSMISSION PARTS

## Clutch-Pack Module

## Transmission: Allison LT1000 / 2000 Series

**Part No.**  
**RCP96-281**

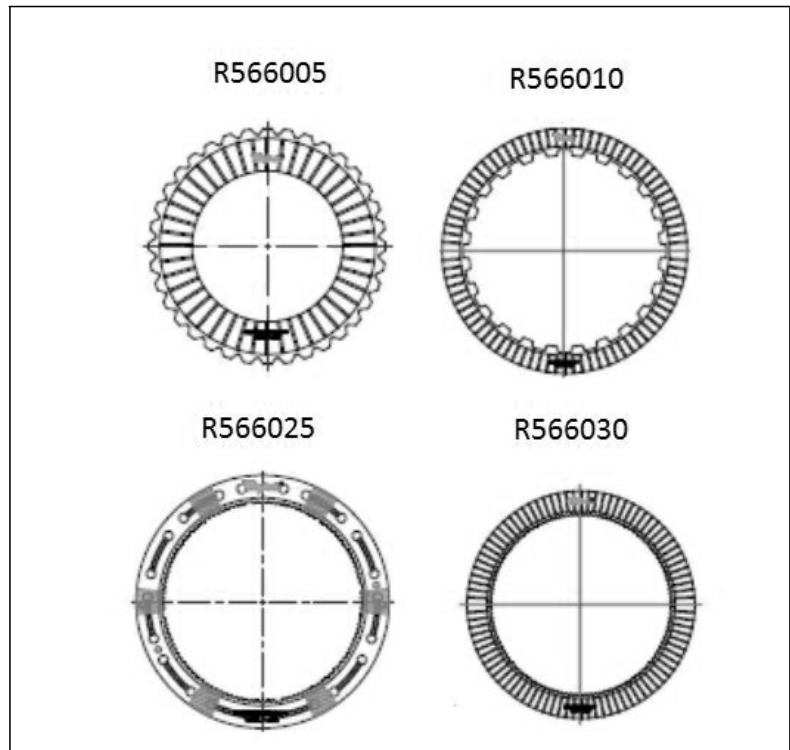
**Year Coverage:**  
12/2009-ON

**Carton Qty:**  
2 Boards/Carton

**Features/Benefits:**

Complete unit coverage.

Contains friction components manufactured with a unique blend of high energy fibers for added stress and temperature capacity for greater durability.



Also Available for Allison LT1000 /2000 Series

**Components:**

**Steel Module:**

000833

<u>Part No.</u>	<u>Quantity</u>	<u>Description</u>
R566005	7	C1
R566010	6	C2
R566025	10	C3, C4
R566030	6	C5

*The best choice, the first time and every time.*

[www.raybestospowertrain.com](http://www.raybestospowertrain.com)