

Clutch-Pack Module

Transmission: GM 6T30 / MH9

Part No.
RCP96-280

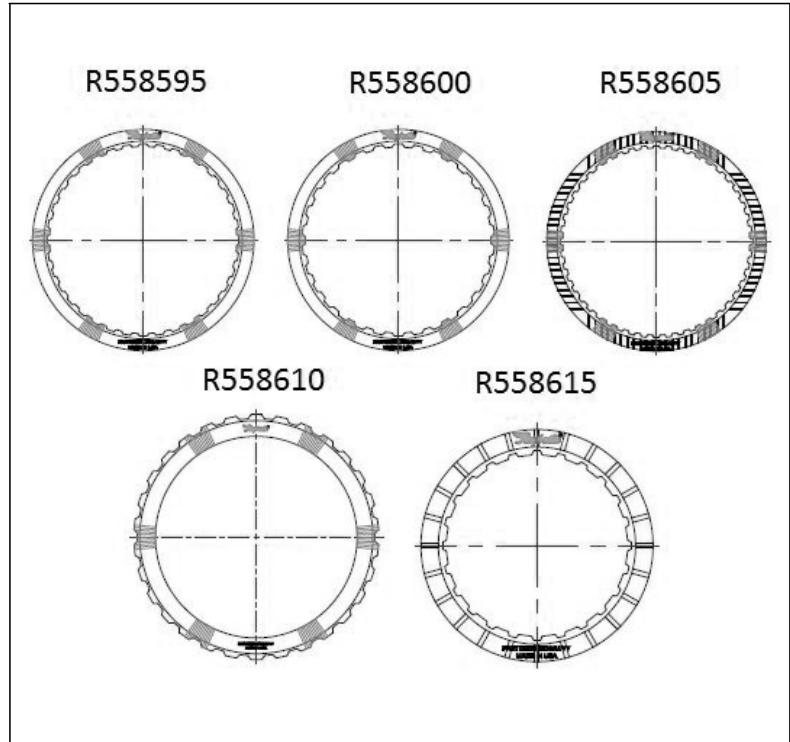
Year Coverage:
2012-ON

Carton Qty:
10 Boards/Carton

Features/Benefits:

Complete unit coverage.

Contains friction components manufactured with a unique blend of high energy fibers for smooth engagements and high temperature durability.



Components:

<u>Part No.</u>	<u>Quantity</u>	<u>Description</u>
R558595	2	1-2-3-4 Waved
R558600	2	2-6 Waved
R558605	3	Low, Reverse Waved
R558610	3	3-5, Reverse, OD Spline Waved
R558615	4	4-5-6 Waved

The best choice, the first time and every time.

www.raybestospowertrain.com